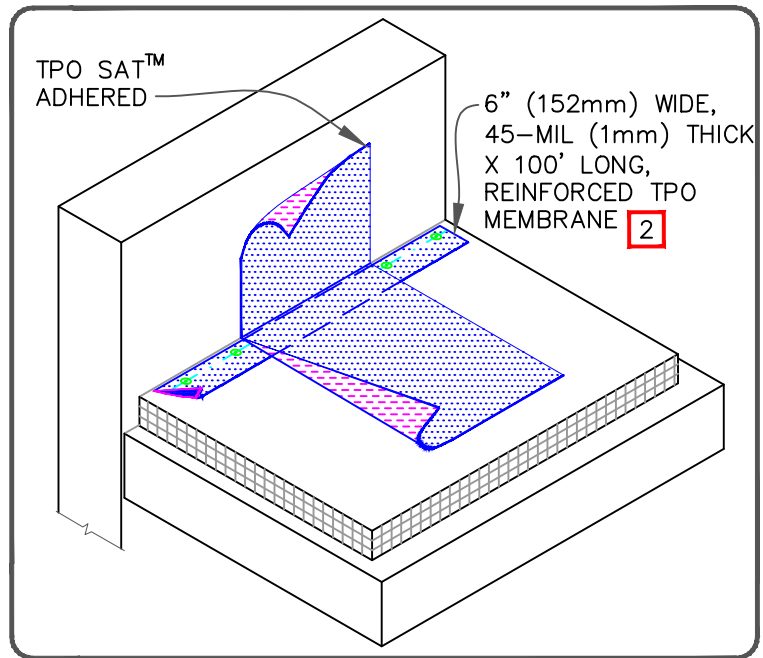


TPO SAT ONLY  
(NOT FOR PVC)

NOTES:

1. REFER TO SPECIAL CONDITION SPEC. SUPPLEMENTS G-01-18 OR G-08-19: UTILIZE FOAM OR OTHER METHOD TO PREVENT INFILTRATION OF INDOOR AIR INTO ROOF SYSTEM.
2. THESE STRIPS ARE PRE-CUT IN THE FACTORY.



	<p>• SAT™ TPO MEMBRANE</p>	<p>TPO SAT PARAPET FLASHING WITH TPO RUSS SAT (SELF ADHERING TECHNOLOGY)</p>		<p>DETAIL NO. U-12G</p>
	<p>• APPROVED SUBSTRATE</p>	<p>For additional information, refer to Specifications</p>		<p>THERMOPLASTIC TPO</p>
<span style="border: 1px solid red; padding: 2px;">0</span>	<p>• SEE NOTE(S)</p>			