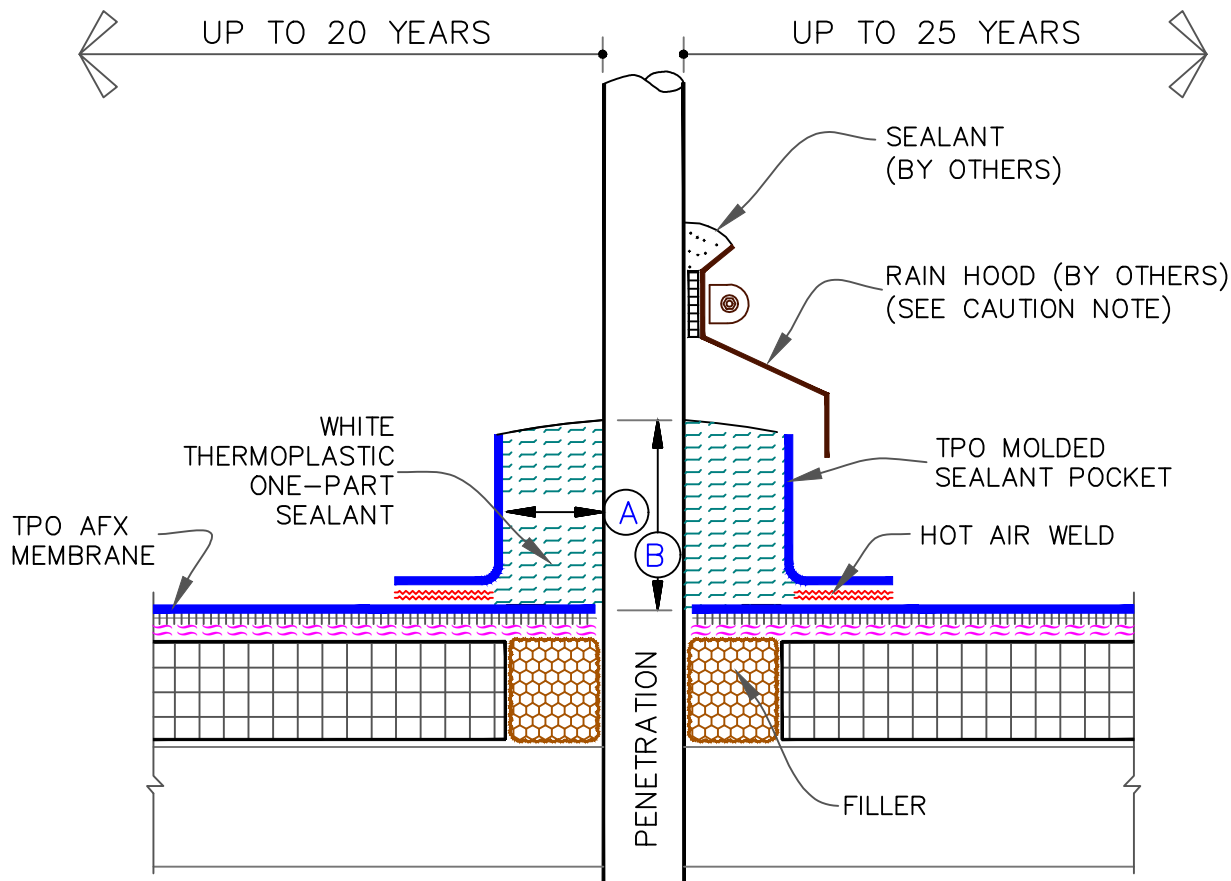


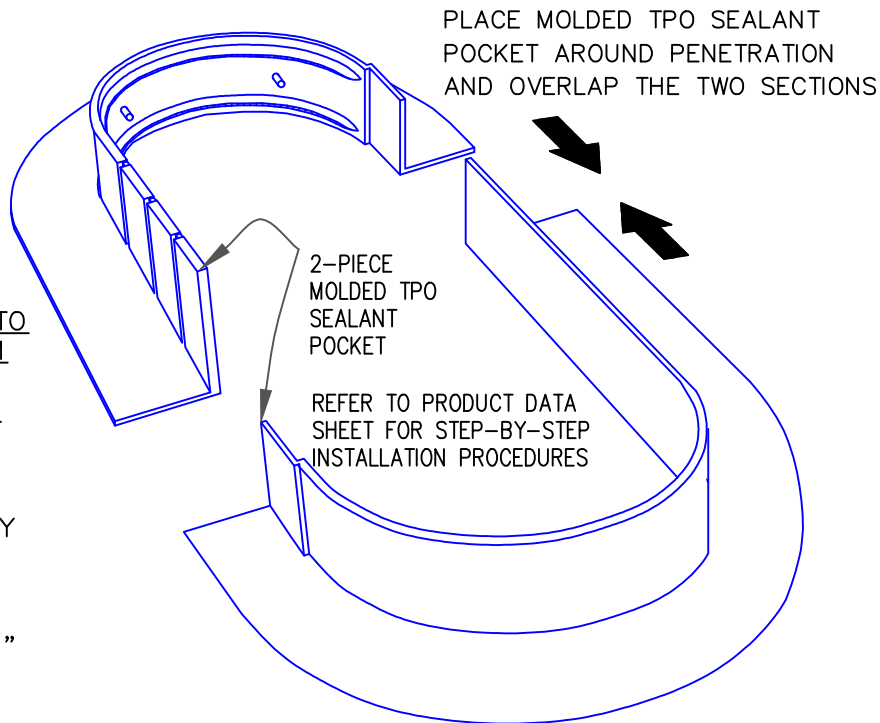
CAUTION MOLDED SEALANT POCKETS MUST BE USED IN CONJUNCTION WITH RAIN HOODS FOR PROJECTS WITH 25 YEAR WARRANTIES.



DIMENSIONS		mm	
(A)	1"	25	MIN.
(B)	2"	51	MIN.

NOTES:

1. TEMPERATURE OF PIPE MUST NOT EXCEED 160°F (71°C).
2. APPLY A THIN COAT OF TPO PRIMER TO THE INSIDE AND AROUND THE TOP RIM OF THE POCKET, TO THE DECK MEMBRANE ENCLOSED BY THE POCKET AND TO THE PENETRATION USING A SMALL PAINT BRUSH.
3. ONE-PART SEALANT MUST COMPLETELY FILL MOLDED SEALANT POCKET TO PREVENT PONDING OF WATER.
4. PIPE CLUSTERS MUST HAVE MINIMUM 1" (25mm) CLEARANCE BETWEEN PENETRATIONS.



<ul style="list-style-type: none"> — AFX MEMBRANE — ASPHALT/COLD APPLIED — APPROVED SUBSTRATE — SEE NOTE(S) 	<p>TPO MOLDED SEALANT POCKET</p> <p>For additional information, refer to Specifications</p>	<p>DETAIL NO. AFX-16B</p> <p>AFX ADHERED</p>
---	--	---