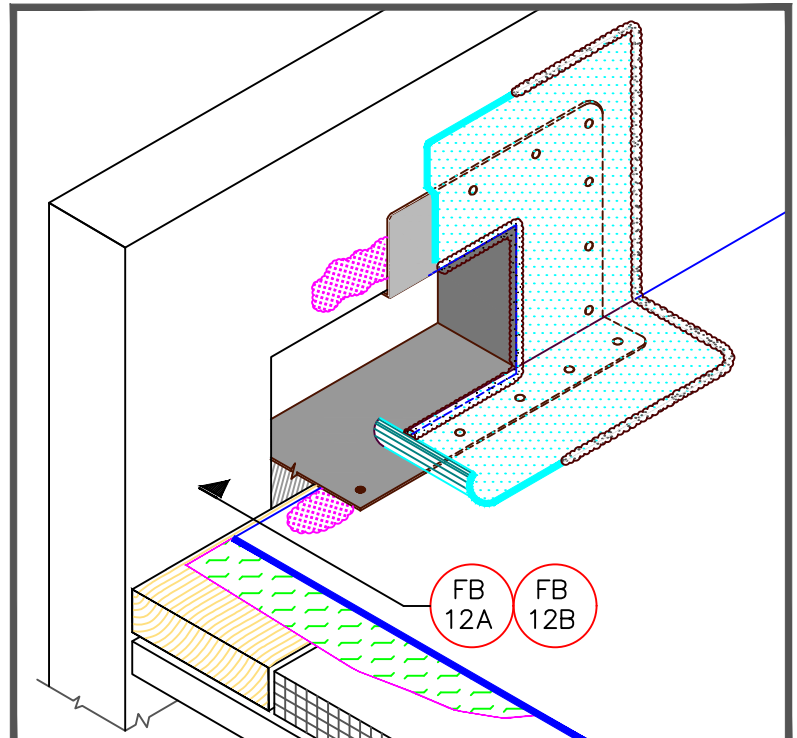


NOTES:

1. WOOD NAILERS ARE INSTALLED ONLY AT SCUPPERS TO SECURE METAL SLEEVE AND MUST EXTEND PAST THE WIDTH OF METAL SLEEVE FLANGE.
2. INSTALL WALL FLASHING PRIOR TO SCUPPER INSTALLATION.
3. METAL SCUPPER BOX MUST HAVE CONTINUOUS FLANGES WITH ROUNDED CORNERS. SOLDER ALL SCUPPER SEAMS WATER-TIGHT.
4. WATER CUT-OFF MASTIC UNDER SCUPPER FLANGE MUST BE UNDER CONSTANT COMPRESSION.
5. SCUPPER FLANGES MUST BE TOTALLY COVERED BY PRESSURE-SENSITIVE ELASTOFOM FLASHING WITH MINIMUM 2" (51mm) COVERAGE PAST NAIL HEADS.
6. TO REMOVE FINISHING OILS, SCRUB METAL FLANGE WITH WEATHERED MEMBRANE CLEANER; ALLOW TO DRY PRIOR TO APPLYING EPDM PRIMER.
7. APPLY EPDM PRIMER TO METAL FLANGE AND MEMBRANE SURFACE PRIOR TO INSTALLING PRESSURE-SENSITIVE ELASTOFOM FLASHING.



	— FleeceBACK MEMBRANE
	— FLEX FAST/AQUABASE
	— APPROVED SUBSTRATE
	— SEE NOTE(S)

THROUGH-WALL SCUPPER WITH PRESSURE-SENSITIVE EPDM FLASHING

For additional information, refer to Specifications

	DETAIL NO.
	FB-18A
FLEECEBACK ADHERED	